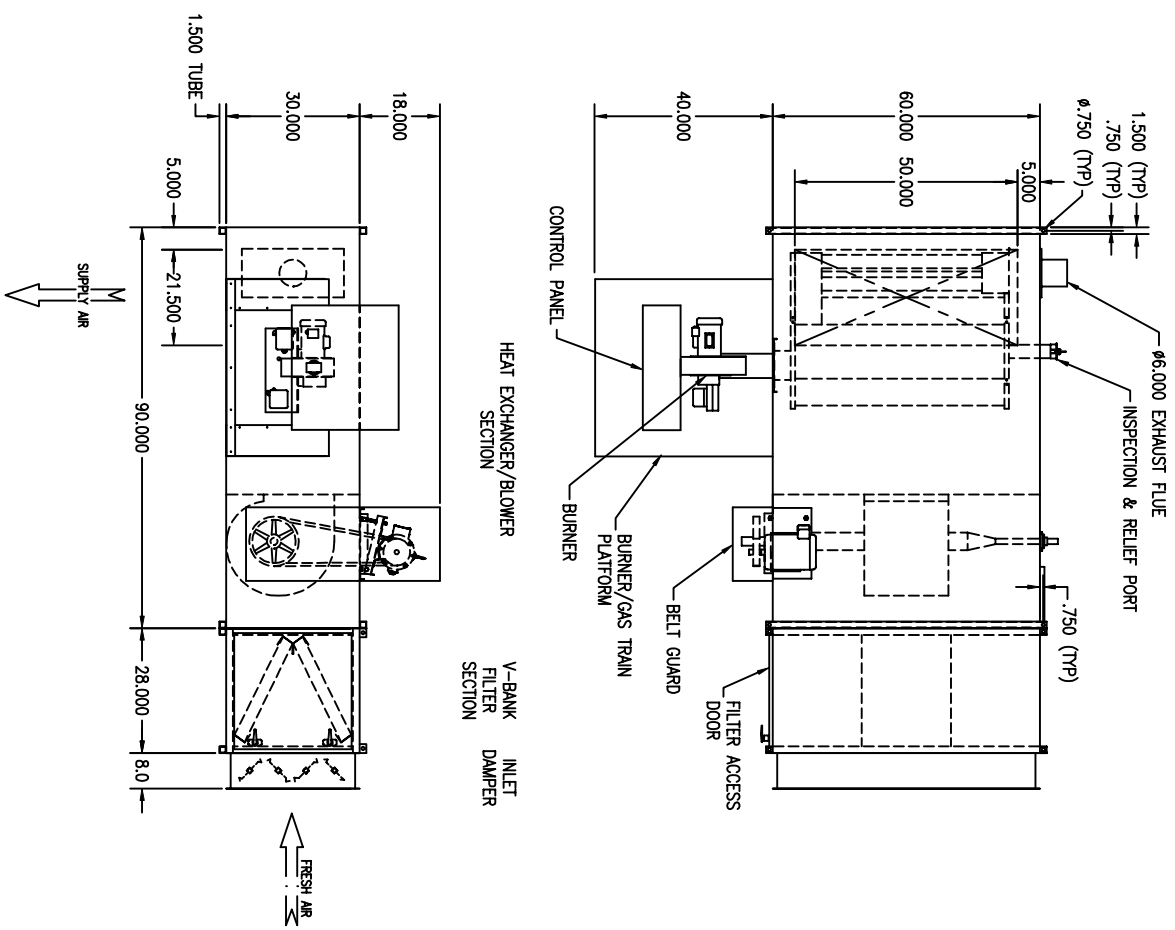


- NOTE:
 1.) DRAWING IS NOT TO SCALE.
 2.) THIS SUBMITTAL ONLY APPLICABLE TO INDIRECT FIRED BURNER.
 3.) DUE TO SHIPPING REQUIREMENTS, SOME ELECTRICAL RECONNECTION MAY BE REQUIRED.



MODEL
 AirRite IDF Series 35/45 HHL Indoor

STANDARD FEATURES

- ELECTRONIC FLAME SUPERVISION
- FACTORY TESTED
- 16 GAUGE CRS CASING
- (1) DWDI FORWARD CURVED BLOWER
- UNIT MOUNTED CONTROL MODULE
- LUBRICATED BEARINGS w/ ZIRK FITTINGS
- BELT GUARD (PER OSHA STANDARDS)
- AIR PROVING SWITCH
- INDUSTRIAL ENAMEL EXTERIOR FINISH
- HEAT & RUST RESISTANT INTERIOR FINISH
- POWER TYPE BURNER
- HEAT EXCHANGER COMPARTMENT INSULATED AND LINED
- HEAT EXCHANGER: ALL WELDED CONSTRUCTION
- 400 SERIES SST PRIMARY AND COLLECTOR BOXES

PRELIMINARY

WEATHER-RITE

HEATING AND VENTILATION, INC.